



## INSTRUMENT / DEVICE ENCLOSURES



HK



2HK

## FEATURES-SPECIFICATIONS

## Applications

Instrumentation housed in HK Series enclosures typically used to measure, detect, monitor, transmit and control industrial processes and systems.

HK Series enclosures are suitable for a broad range of applications, meeting both domestic and international code requirements.

Some specific examples of the type of instruments that can be housed in these enclosures include:

- Flow measurement devices
- Temperature monitors
- Two-wire transmitters
- Gas detectors
- Ph analyzers
- Pressure gauges
- Temperature transmitters
- Oxygen/combustible gas sensors
- Methane gas monitors
- Level detectors
- H<sub>2</sub>S monitors
- Transducers
- Pressure switches

See pages E53 - E54 for dimensions.

## Features

- Enclosures are explosion proof, dust/ignition proof, weather proof and tamper resistant
- HK Series boxes covers are cast from a copper-free aluminum alloy
- Cast stainless steel box, flat & lens cover available (HKSB-BC + HKSB-GLC)
- Neoprene O-rings are provided with HK boxes to assure water resistance in NEMA 4/IP66 conditions

- Three box styles available: HKB, HKBD single cover design and the 2HKB double cover design. 2HKB enclosure has two separate chambers for isolation between power and instrument.
- HKB, HKBD box has offset feed-thru conduit openings (3/4" NPT) for maximum use of interior volume
- 2HKB box has offset feed-thru conduit openings (3/4" NPT) on power side and one (3/4" NPT) on bottom instrument side
- Interior mounting pad for instrument/device cast into the bottom of the HKB, HKBD box is provided in an "X"-configuration for flexibility
- Location of the internal ground screw boss does not interfere with the mounting of the instrument or device
- Eight different cover styles are available: standard flat cover, standard glass lens cover, 1" dome cover, 1" dome lens cover, 2" dome cover, 2" glass lens dome cover, 4" dome cover and 4" dome lens cover.
- All covers have shrouded tamper resistant set screws as standard which can help to combat excessive vibration in rugged settings
- Lugs on cover permit easy removal and tightening

## ATEX/IECEx Certified

IECEx UL 14.0071U  
DEMKO 01 ATEX 15742U

Ex II 2 G / D

Ex db IIC Gb, Ex tb IIIC Db IP66  
Ta = -20°C to +60°C for GL (glass) lenses  
Ta = -20°C to +70°C for blank covers

Class I, Div. 1 & 2, Groups A\*, B, C, D†  
Class I, Zones 1 & 2, Groups IIB + H2, IIA  
Class II, Div. 1 & 2, Groups E, F, G  
Class III, Type 3, 4, 4X  
NEMA 3, 4, 4X, 7 (B, C, D) 9 (E, F, G)



- File E83969 & File E150827



Certified - File LR11716



File 1W1R4-RE



## Material/Finish

- Boxes and covers – copper-free aluminum (less than 4/10 of 1%)
- HKSB series is 316 cast stainless steel
- O-ring sealing gasket – Neoprene rubber
- Ground screws – zinc plated steel with green dye (Stainless steel on HKSB)
- Allen head cover screw – cadmium plated steel (Stainless steel on HKSB)
- Glass lens – 3/8" thick tempered glass
- Finish – silver powder epoxy paint, electrostatically applied
- Special colors available in quantity

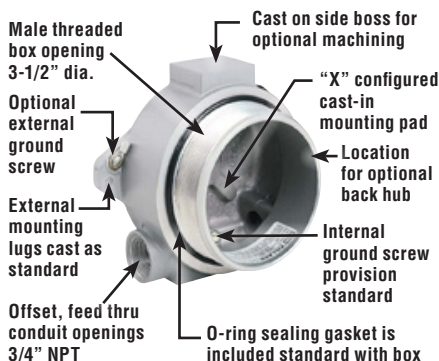
\* Group A FM only on HK single cover box. Order with -GA suffix.

\*\* CENELEC on assembled HK parts only with suffix "C".

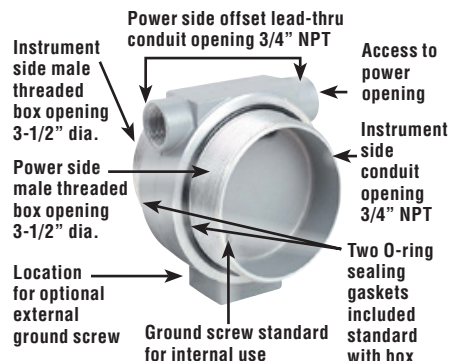
\*\*\* Seal immediately adjacent to enclosure.

† Seal within 18" of enclosure for Groups BCD and within 6" for Group A in accordance with sections 501-5 and 502-5 of the National Electrical Code.

## HK Design Features



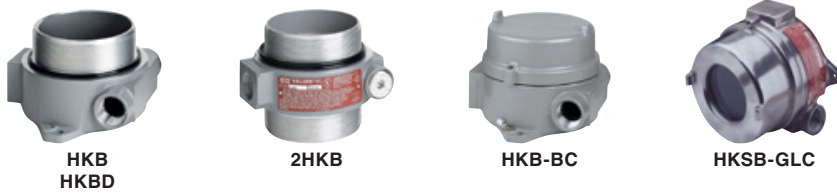
## 2HK Design Features





INSTRUMENT / DEVICE ENCLOSURES

Boxes



Standard Flat Covers



Dome Covers 1", 2" and 4"



FEATURES-SPECIFICATIONS

2HKB Series Boxes

The wall that separates the instrument side from the power side can be machined for slots or holes up to a maximum of two slots 5/16" by 1-1/2".

Submit drawings for machining requirements to Killark.

Factory Modifications

Approvals allow for factory or field modifications on HKB box for drilling and tapping conduit openings on side or back of enclosure without voiding UL-CSA-FM approvals. Internal mounting pad holes on "X" configured boss can be factory added by drilling from inside of box without piercing the bottom of enclosures. Assemblies with ATEX/IEC Ex approvals must be factory modified in order to comply with certifications.

HK ASSEMBLED PARTS <sup>②③</sup>					
CATALOG NUMBER (CAST ALUMINUM)					
HKB BOX & COVERS		HKBD BOX & COVERS	2HKB BOX W / BLANK COVER ON POWER SIDE & OPTIONAL COVER ON INSTRUMENT SIDE <sup>④</sup>		COVER TYPE
UL-CSA-FM APPROVED	CENELEC UL-CSA-FM APPROVED	UL-CSA-FM APPROVED	(UL-CSA-FM)	CENELEC UL-CSA-FM APPROVED <sup>①</sup>	
HKB-B	HKB-BC	HKBD-B	2HKB-B-B	2HKB-BC-BC	Standard flat
HKB-2D	HKB-2DC	HKBD-2D	2HKB-B-2D	2HKB-BC-2DC	2" Dome
HKB-4D	HKB-4DC	HKBD-4D	2HKB-B-4D	2HKB-BC-4DC	4" Dome
HKB-GL	HKB-GLC	HKBD-GL	2HKB-B-GL	2HKB-BC-GLC	Lens
HKB-2GLD	HKB-2GLDC	HKBD-2GLD	2HKB-B-2GLD	2HKB-BC-2GLDC	2" Dome lens

HK COMPONENT PARTS	
CATALOG NUMBER	DESCRIPTION
HKB	Single cover box only
HKBD	Single deep box only
2HKB	Double cover Box only
HFC	Flat cover
HKGL	Lens cover
HK1D	1" Dome cover
HK1GLD	1" Dome lens cover
HK2D	2" Dome cover
HK4D	4" Dome cover
HK2GLD	2" Dome lens cover
HK4GLD	4" Dome lens cover
15722LABB	Rep. "O" Ring Gasket

HKSB STAINLESS STEEL ASSEMBLED PARTS <sup>②</sup>	
HKSB BOX & COVERS CENELEC UL-CSA-FM APPROVED	COVER TYPE
HKSB-BC	Standard flat
HKSB-GLC	Lens

HKB FACTORY MODIFICATIONS	
OPTIONAL FACTORY MACHINING (HKB)	
CATALOG SUFFIX	DESCRIPTION
-01 -	1/2 NPT hub in back
-02 -	3/4 NPT hub in back
-10 -	1/2 NPT hub in side
-20 -	3/4 NPT hub in side
-21 -	3/4 NPT hub in side 1/2 NPT hub in back
-22 -	3/4 NPT hub in side 3/4 NPT hub in back
-02S -	3/4 NPSM hub in back
-22S -	3/4 NPT hub in side 3/4 NPSM hub in back
-2S2S -	3/4 NPSM hub in side 3/4 NPSM hub in back
-2S0 -	3/4 NPSM hub in side
-2S1 -	3/4 NPSM hub in side 1/2 NPT hub in back
-2S2 -	3/4 NPSM hub in side 3/4 NPT hub in back
-GS	External ground screw (Standard on HKB assembly with CENELEC approvals)
-GA -	Group A - FM approval (Available only on HKB box furnished with covers installed)
-SU93 -	Unpainted - Natural finish
-SU9 -	Special colors of powder paint available in quantity. Consult factory for details

- ① Assemblies that are CENELEC approved include as standard:
  - External ground screw with terminal
  - Predrilled nameplate holes and screw on pad for customer installed nameplate.
- ② See information at right for optional factory machining.
- ③ Product is stocked at component level. Recommend ordering as such for reduced lead time.
- ④ 2HKB Assemblies include a flat cover on power side, dome and lens covers can be substituted in place of flat cover, consult factory for ordering details.

Ordering examples:  
Modified box component HKB-20  
Modified assembly HKB - B - 20 OR HKB - BC - 20



# ENCLOSURES

## INSTRUMENT / DEVICE ENCLOSURES



HK

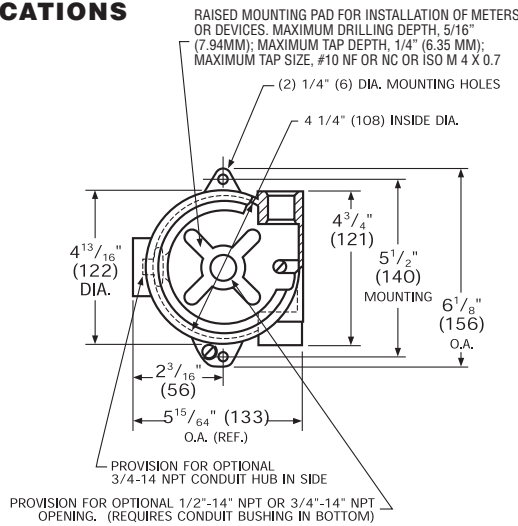


HKSB - Stainless Steel

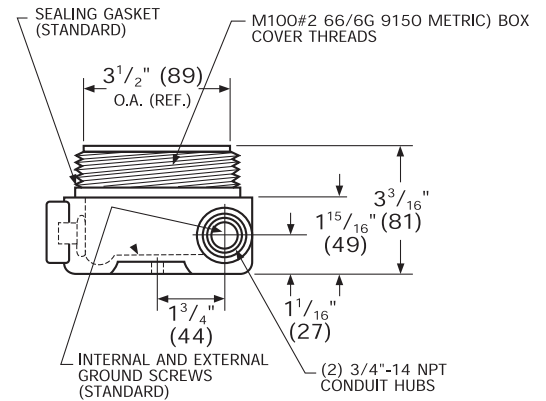
### FEATURES-SPECIFICATIONS

#### Dimensions

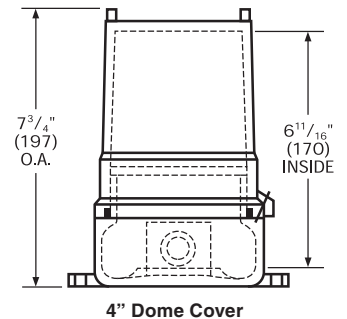
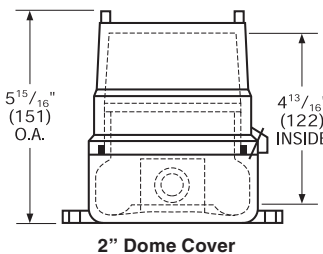
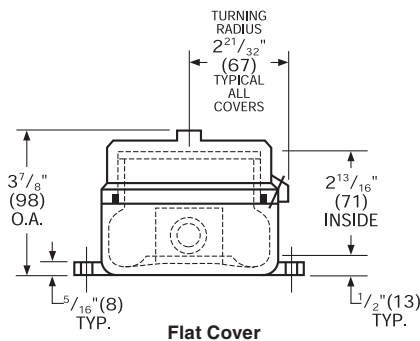
Note: Add 1/2" to all depth dimensions when using HKBD Deep Box.  
HKBD volume = 33 cu.in.



#### HKB Volume: 31 cu. in.



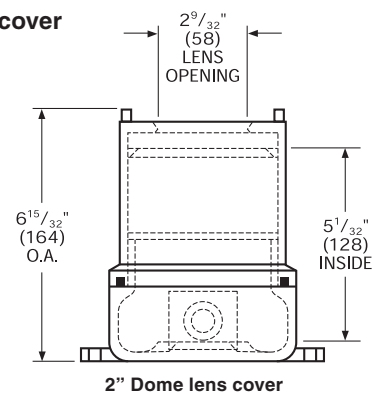
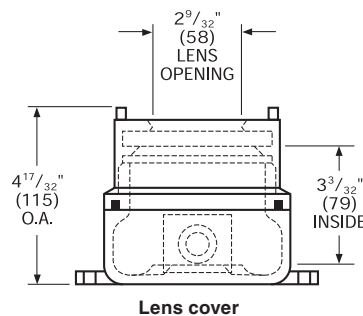
### HKB box and blank cover



For HK1GLD (1" Dome Lens Cover), add 1" to lens cover verticle height dimensions

For HK4GLD (4" Dome Lens Cover), add 2" to 2 dome lens cover verticle height dimensions

### HKB box and glass lens cover





INSTRUMENT / DEVICE ENCLOSURES



2HK

FEATURES-SPECIFICATIONS

Dimensions

